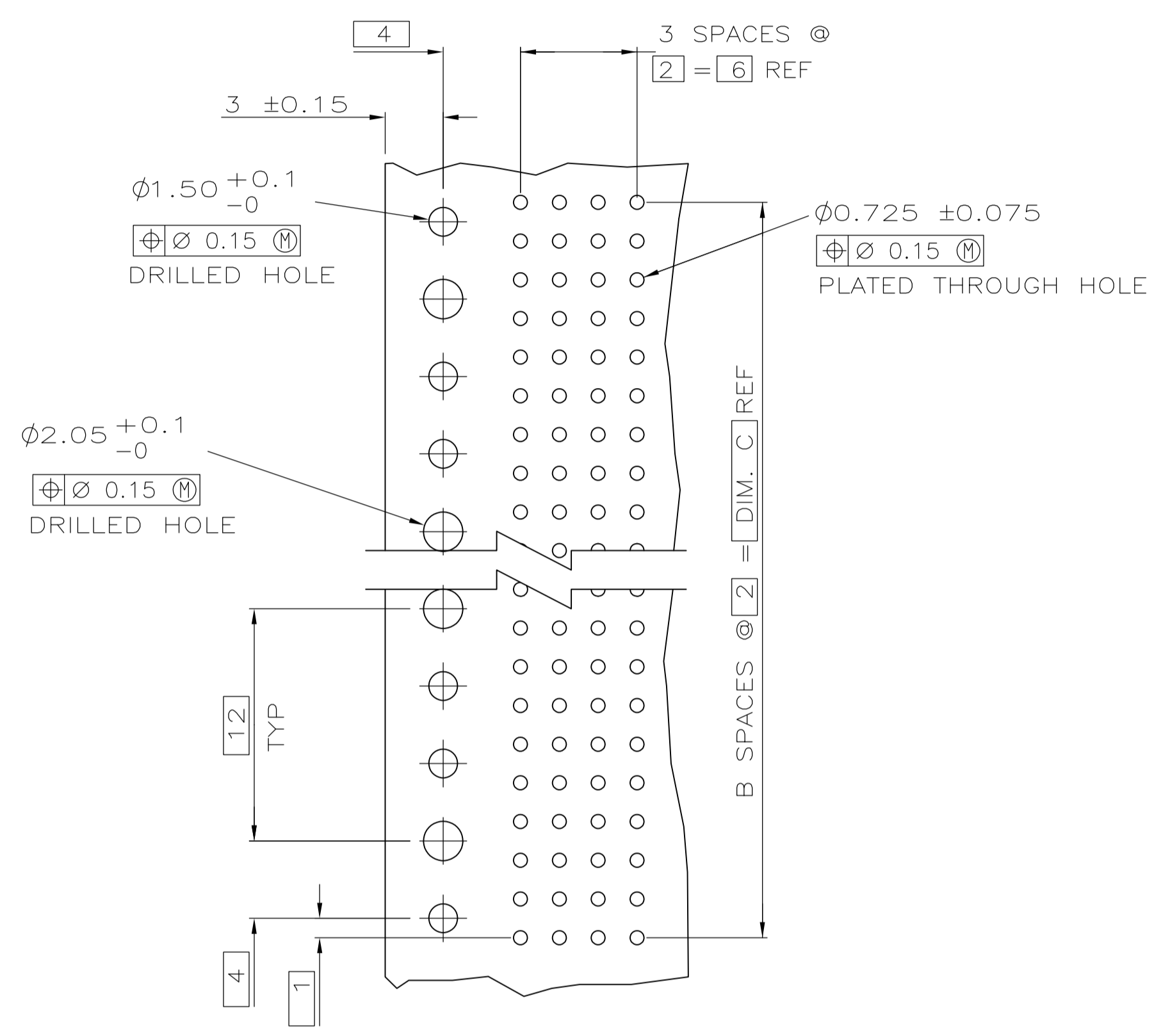
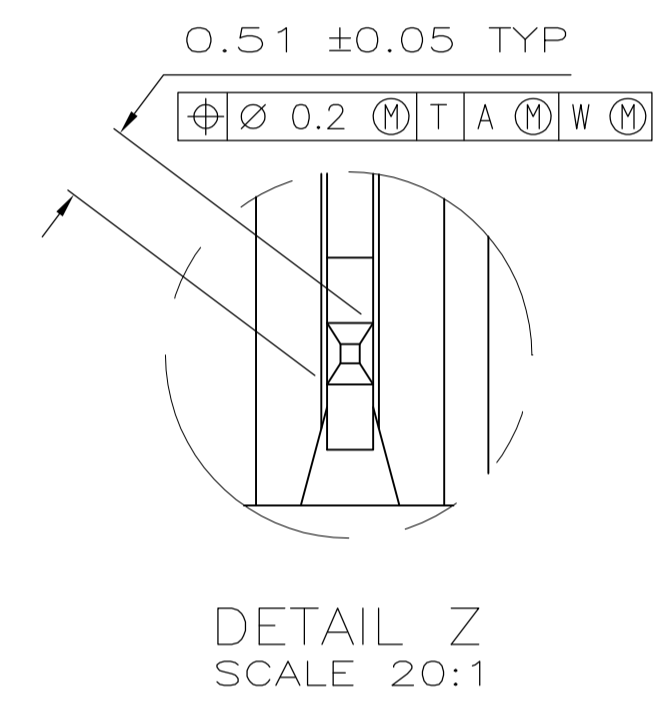


THIS DRAWING IS A CONTROLLED DOCUMENT.		DWN J.LOCONDR0	01/03/94	Tyco Electronics Tyco Electronics Corporation Harrisburg, Pa 17105-3608
		CHK D.R.BAECHTLE	1/10/94	
DIMENSIONS: mm		TOLERANCES UNLESS OTHERWISE SPECIFIED:		NAME RECEPTACLE ASSEMBLY, SIGNAL MODULE, Z-PACK 2mm FB, 4 ROW, 3.53mm LEAD LENGTH
0 PLG ± -		1 PLG ± -		
1 PLG ± -		2 PLG ± 0.13		
2 PLG ± -		3 PLG ± -		
3 PLG ± -		4 PLG ± -		RESTRICTED TO
4 PLG ± -		ANGLES ± -		SIZE A1
FINISH		FINISH		CAGE CODE 00779
MATERIAL		MATERIAL		DRAWING NO 536520
1 2		3		CUSTOMER DRAWING
				SCALE 4:1
				SHEET 1 OF 2
				REV S1



RECOMMENDED CIRCUIT PATTERN
 PER IPC-D300 TYPE II, CLASS C
 (COMPONENT SIDE)



- 1 HOUSING MATERIAL: LIQUID CRYSTAL POLYMER.
 COLOR: NATURAL.
- 2 CONTACT MATERIAL: PHOSPHOR-BRONZE.
- 3 CONTACT FINISH:
 UNDERPLATE (ENTIRE CONTACT) -
 0.00127 MIN. NICKEL
 ON MATING SURFACES-
 CONFORMS TO ALL TESTING SPECIFIED FOR TELCORDIA
 UNCONTROLLED ENVIRONMENT
 ON LEADS-
 0.00381 MIN. TIN-LEAD, OVER UNDERPLATE
 LUBRICATION (ENTIRE CONTACT):
 SURFACE CONDITIONER PER TYCO SPEC 112-1002 AFTER PLATING.
- 4 PART MARKING PER AMP INCORPORATED SPECIFICATION 115-9009, LOCATED APPROXIMATELY AS SHOWN.

94	47	95.88	192	536520-1
C	B	A	FINISH	NO OF POSN
				PART NUMBER

THIS DRAWING IS A CONTROLLED DOCUMENT.		DWN J.LOCONDR0	01/03/94	Tyco Electronics Corporation Harrisburg, Pa 17105-3608	
DIMENSIONS: mm		CHK D.R.BAECHTLE	1/10/94	NAME RECEPTACLE ASSEMBLY, SIGNAL MODULE, Z-PACK 2mm FB, 4 ROW, 3.53mm LEAD LENGTH	
TOLERANCES UNLESS OTHERWISE SPECIFIED:		APP'D D.R.BAECHTLE	1/10/94	PRODUCT SPEC	
0 PLC ± -		APPLICATION SPEC		RESTRICTED TO	
1 PLC ± -		SIZE		CAGE CODE	
2 PLC ± 0.13		DRAWING NO		DRAWING NO	
3 PLC ± -		WEIGHT		SCALE	
4 PLC ± -		A1		00779	
ANGLES ± -		CUSTOMER DRAWING		536520	
FINISH		SCALE		SHEET	
1/2		4:1		2 OF 2	
3				REV	
				S1	